



Installation Instructions

Communication, Satellite Radio

Page 1 of 9

March 2003

Product
Development

These updated installation instructions replace all previous versions

SUBJECT

Sirius Receiver Installation Kit – 84 11 0 141 976

MODEL

3 Series Coupe/Sedan (E46): Vehicle Production 9/02- On
X5 (E53): Vehicle Production 10/02 – On

SUGGESTED INSTALLATION TIME 0.5 hours (3 Series)
1.0 hour (X5)

These instructions were developed specifically for BMW vehicles and are not to be compared to any existing instructions for vehicles other than BMW. No methods other than those specified in this document are to be used to install Sirius Receivers in the above listed models.

Note: This installation kit is not compatible with CPT-8000 telephone. If the Vehicle is equipped with CPT-8000 phone, please refer to BMW Parts Bulletin or Centernet for alternate Sirius Receiver Installation kits.

PARTS INFORMATION

Contents of Kit - P/N 84 11 0 141 976

Description	QTY	Part Number
E46/E53 Receiver Bracket	1	84 11 0 141 976
Receiver Mounting Screws (M4)	4	N/A
M5 Bolt	1	07 11 9 902 007
M5 clip nut	1	61 13 1 372 033
Plug	1	84 11 0 151 238
Black Wire Ties	6	N/A
Installation Instructions	1	84 11 0 154 302
Owners Manual	1	84 11 0 141 974

Additional Required Parts

Sirius Roof Antenna Kit	1	84 11 0 141 979
Sirius Receiver	1	84 11 0 141 981
600mm CD Changer Extension Cable ⁽¹⁾	1	84 11 0 150 526
2.1m CD Changer Extension Cable ⁽²⁾	1	84 11 0 141 978
2.1m Power/Audio Extension Cable ⁽³⁾	1	84 11 0 141 977

(1) Required only for 3-Series vehicles equipped with optional Alpine CD Changer

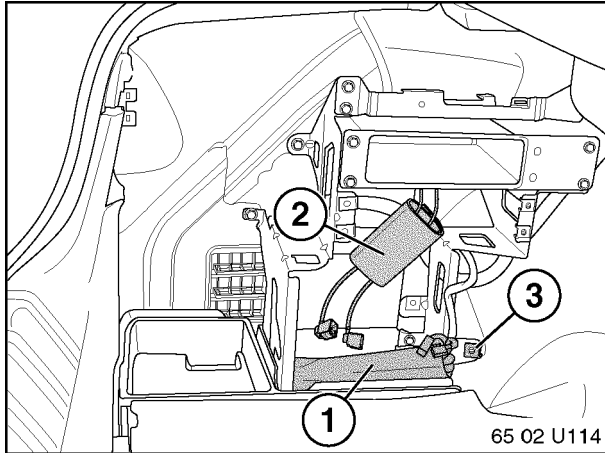
(2) Required only for X5 equipped with optional Alpine CD Changer

(3) Required for all X5

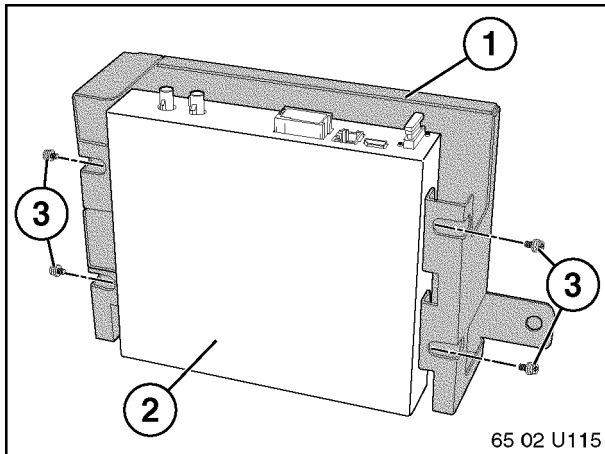
★ ★ DO IT RIGHT THE FIRST TIME, ON TIME, EVERY TIME ★ ★

PROCEDURE:**3 Series Sedan & Coupe (E46)**

1. Mount Sirius Roof Antenna using instructions included in antenna installation kit.
2. Remove CD Changer from bracket assembly (if equipped). Disconnect CD Changer connections and temporarily re-locate CD Changer for Sirius receiver installation procedure.

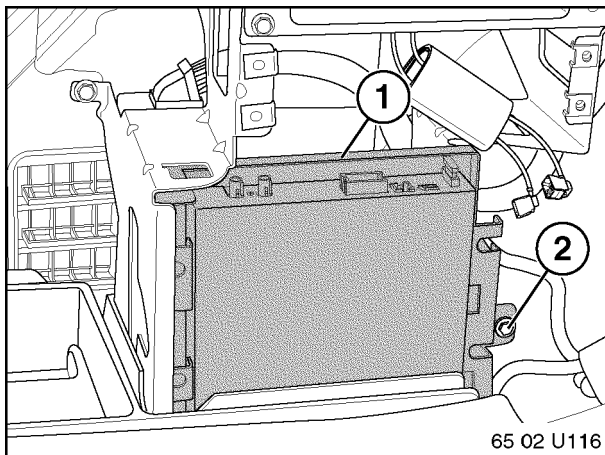


3. Locate factory pre-wired CD Changer 3-Pin Power and 6-Pin Audio Cables (1) and ALC Module (2) installed during Sirius Roof Antenna procedure..
4. Insert Clip Nut (3) as indicated.

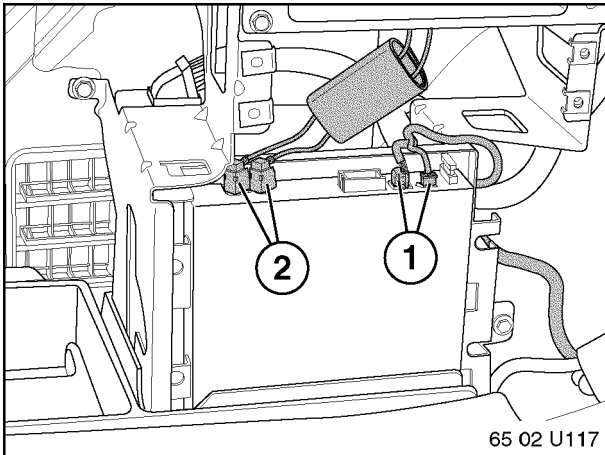


5. Mount Sirius Receiver (2) in bracket (1) as indicated using 4 M4x6 mounting screws (3) provided in kit.

Note: Note direction of bracket as it aligns to receiver in this installation.

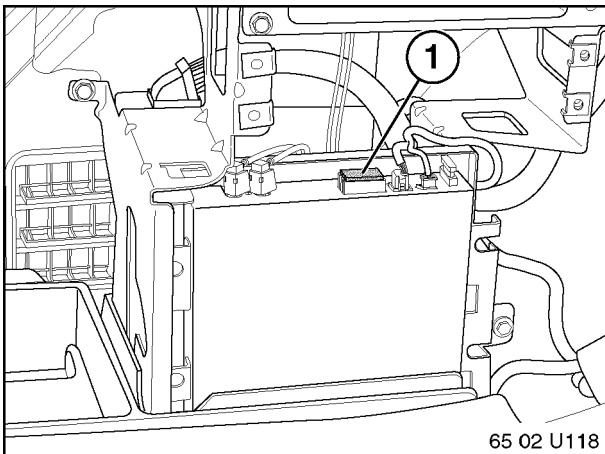


6. Insert bracket with Sirius receiver (1) in the main bracket assembly, then install & tighten M5x14 bolt (2) included in kit.



7. Insert CD Changer 3-Pin Power cable (1) and 6-Pin audio cable (1) into appropriate connectors on Sirius receiver. Connect 2 color-coded terminals from ALC module to corresponding connectors on Sirius receiver (2).
8. Fasten ALC module to vehicle with wire-ties provided in kit. Mount ALC module in acceptable location so that it does not interfere with other electronic components and wiring harnesses

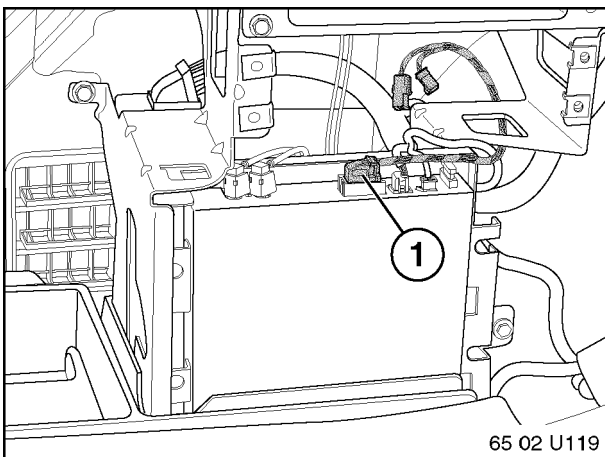
Note: Make sure that ALC antenna cables are not pinched and that ALC is placed in secure location to prevent vibration.



If vehicle is not equipped with optional CD Changer:

9. Install plug (1) from installation kit into Sirius Receiver CD Changer extension connector.

Warning: Failure to insert the plug into the CDC extension connector could result in damage to the Sirius receiver.



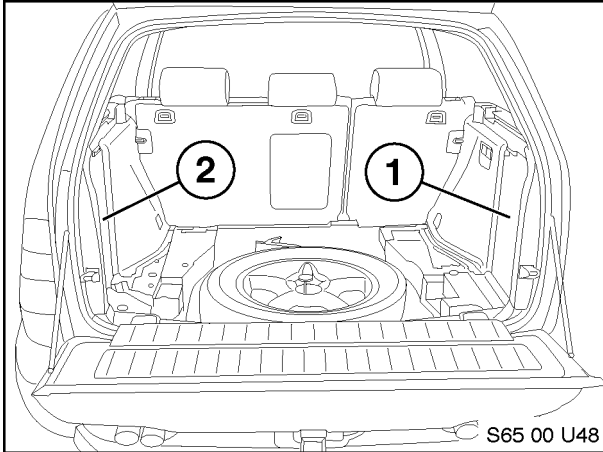
If vehicle is equipped with optional CD Changer:

10. Insert CD Changer 3-Pin Power cable (1) and 6-Pin audio cable (2) into appropriate slots on Sirius receiver. Install 600mm CD Changer extension cable (3) into Sirius receiver and route cable to CD Changer mounting location. Connect CD Changer Cables and reinstall CD Changer in its original location.

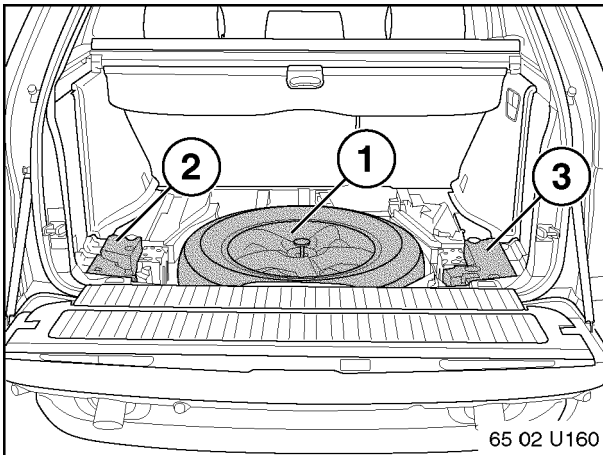
11. Installation is complete.

12. Fasten loose wiring with wire-ties. Reinstall left trunk trim panel and taillight bulb assembly.

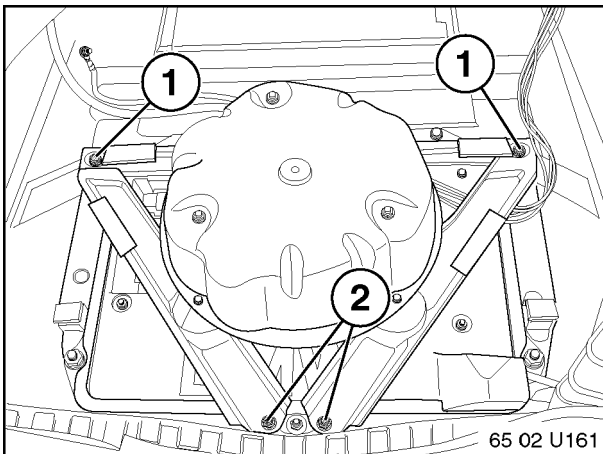
13. Refer to activation procedure at the end of this installation manual to test functionality and activate the Sirius receiver.

X5 (E53)

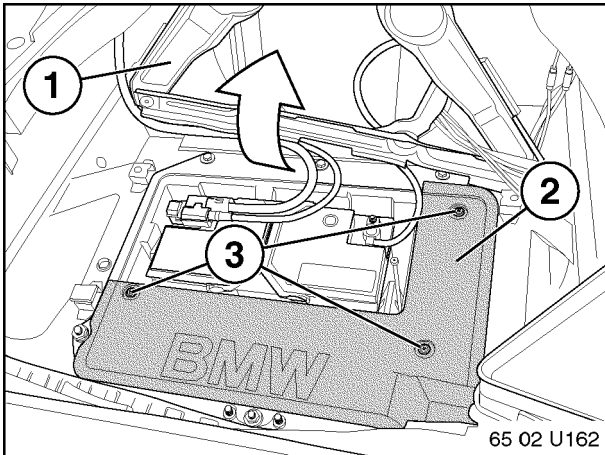
1. Mount Sirius Roof Antenna using instructions included in antenna installation kit.
2. Remove trunk floor panel. Remove left and right trunk side panels (1&2). Remove optional CD Changer (if equipped).



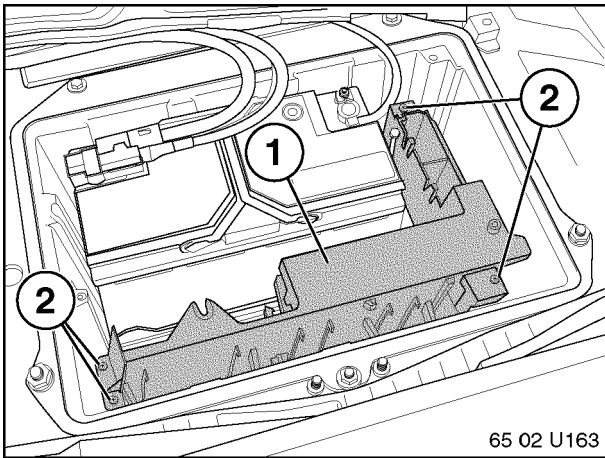
3. Remove spare tire (1). Remove left and right cargo trays (2&3)



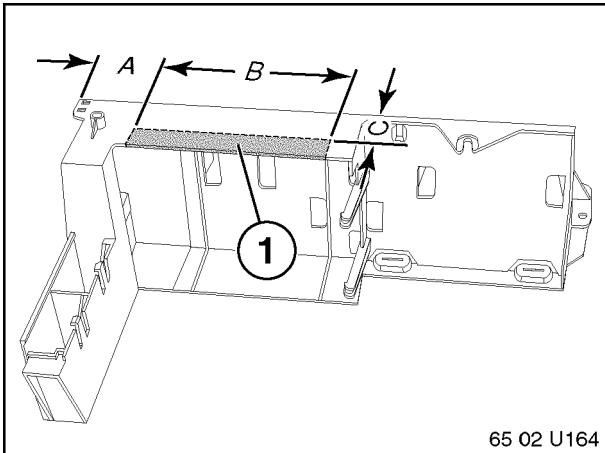
4. Remove forward (1) and rearward (2) fasteners from spare tire bracket.



5. Re-locate bracket (1) towards the front of the vehicle to access battery module panel (2). Remove 3 screws from panel access cover (3) and remove cover.

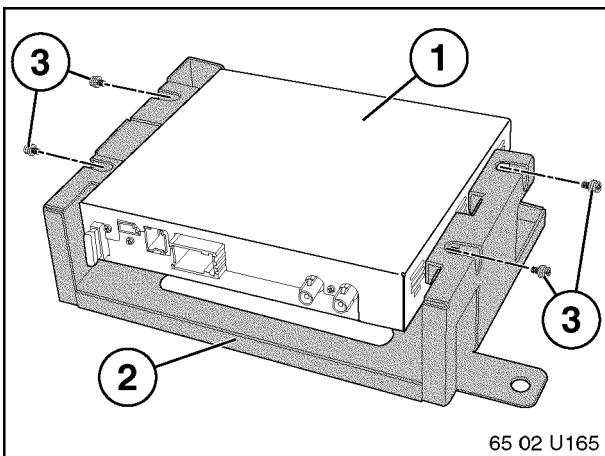


6. Remove plastic component bracket (1) from vehicle after removing 4 screws (2).



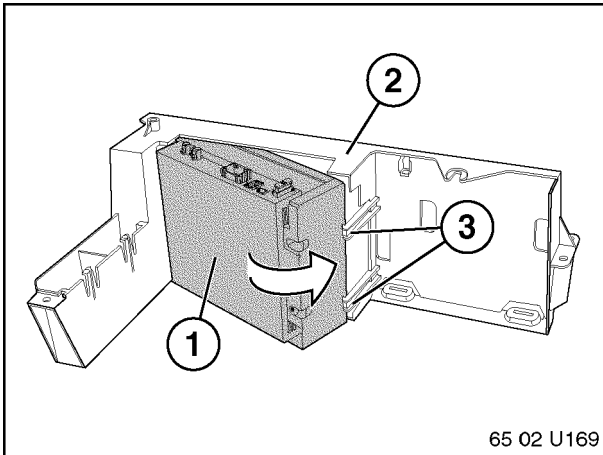
7. It will be necessary to trim the plastic component bracket as shown.

A = 2.5 inches (60mm)
 B = 7.0 inches (175mm)
 C = 1.5 inches (40mm)

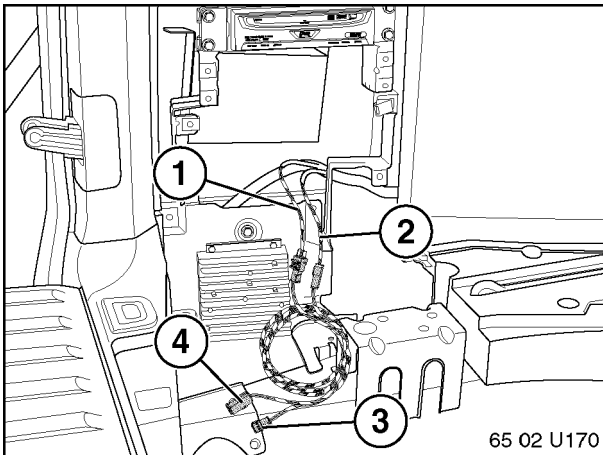


8. Install Sirius Receiver (1) in the Receiver Bracket (2) as indicated using 4 M4x6 screws (3) provided in kit.

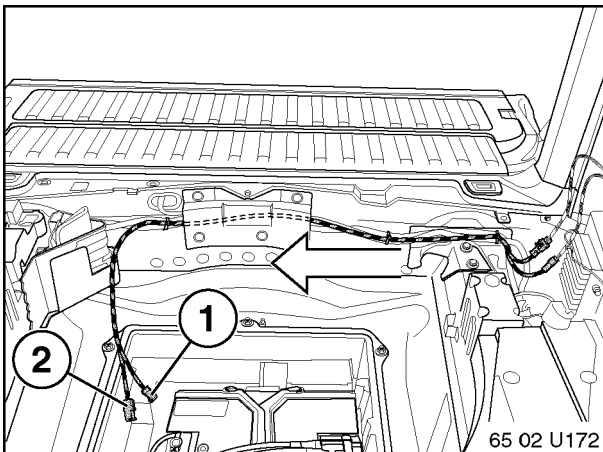
Note: Note direction of bracket as it aligns to receiver in this installation.



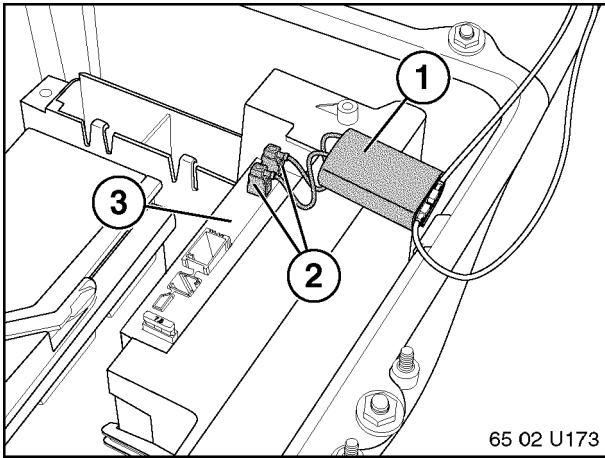
9. Insert bracket assembly (1) into plastic component bracket (2). Make sure bracket with Sirius receiver clips securely into locking feet (3).
10. Return plastic component bracket to its mounting position. Install and tighten mounting screws for plastic component bracket.



11. Locate factory pre-wired 6-Pin CD Changer Audio cable (1) and 3-Pin Power cable (2) in left trunk component location.
12. Connect 2.1m Power/Audio extension cable (3&4) to 6-Pin CD Changer Audio cable (1) and 3-Pin Power cable



13. Route 2.1m Power/Audio extension cable (1 & 2) along rear wall of spare tire well to Sirius receiver location.

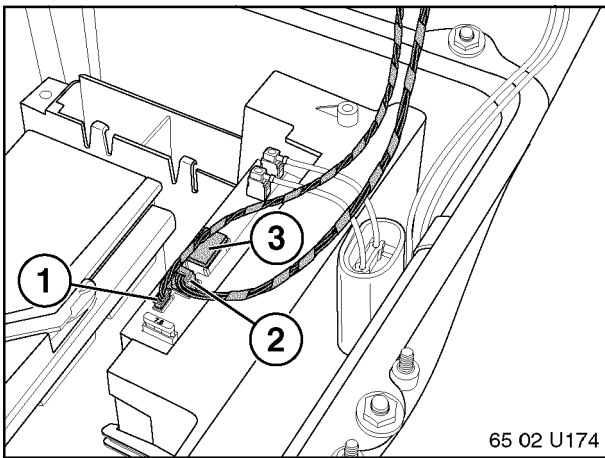


14. Route ALC Module (1) from right trunk well to Sirius receiver location.
15. Connect 2 color-coded terminals from ALC module (1) to corresponding connectors (2) on Sirius receiver (3).

Note: Please ensure that antenna cables are routed in correct method and cables are not crimped.

16. Fasten ALC module to vehicle with wire-ties provided in kit. Mount ALC module in acceptable location so that it does not interfere with other electronic components and wiring harnesses.

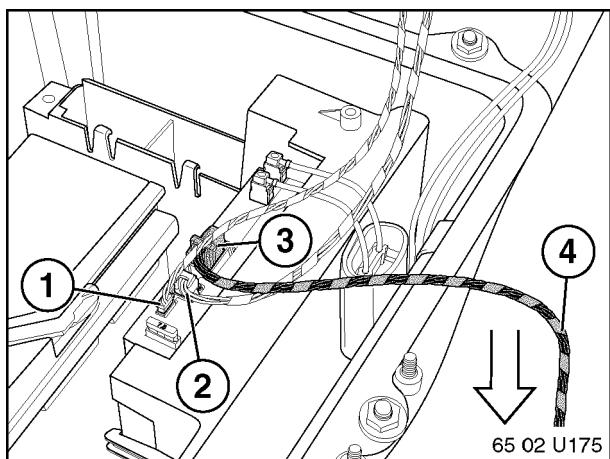
Note: Please ensure that ALC module is securely mounted to eliminate vibration noise issues.



If vehicle is not equipped with optional CD Changer:

17. Insert 3-Pin Power cable (1) and 6-Pin audio cable (2) from 2.1m Audio/Power extension cable into appropriate connectors on Sirius receiver. Install plug (3) from installation kit into Sirius receiver CD Changer extension connector.

Warning: Failure to insert the plug into the CDC extension connector could result in damage to the Sirius receiver.



If vehicle is equipped with optional CD Changer:

18. Insert 3-Pin Power cable (1) and 6-Pin audio cable (2) from 2.1m Audio/Power extension cable into appropriate connectors on Sirius receiver.
19. Install 2.1m CD Changer extension cable (3) into Sirius receiver and route cable to CD Changer mounting location. Route this cable (4) along rear wall of spare tire well to CD Changer mounting location. Connect CD Changer Cables and reinstall CD Changer in its original location

Note: If vehicle has both In-dash CD radio and DSP, it will be necessary to only connect 3-Pin Power connector from CD Changer Extension cable. The digital coaxial cable should be then connected between the CD changer and DSP for CDC audio signal.

20. Fasten loose wiring with wire-ties

21. Installation is complete.

22. Refer to activation procedure at the end of this installation manual to test functionality and activate the Sirius receiver.

Pre-Activation Procedure:

Complete BMW NA / Sirius Satellite Radio Activation Worksheet.

Please refer to Centernet and/or BMW NA Parts Bulletins for latest worksheet and activation procedure.

BMW NA SIRIUS SATELLITE RADIO ACTIVATION PROCEDURE:

Step 1: Locate vehicle outside so that the roof with has a clear **Line-of-Sight** to the sky. Make sure that vehicle is located at a distance greater than 10 feet from nearest building. (Do not place vehicle under a tree or other solid structure.)

Note: For BMW Centers located in downtown cities such as NYC or LA, it may not be necessary to locate vehicle outside. In this case, locate vehicle near window to receive Sirius signal and activate receiver.

Step 2: Turn key to position 1. (**KL-R**)

Step 3: Turn Radio **ON** by pressing knob.

Step 4: Press the **"MODE"** button repeatedly until Sirius Satellite Mode is activated. **"SIRIUS"** will be displayed.

Step 5: The receiver will now try to find any available Sirius Satellite Radio signal. **"ACQUIRING"** may flash in the display until a channel is found. This step may take 2-3 minutes. (If **"ACQUIRING"** continues to flash then no Sirius signal is available. Please re-locate vehicle and repeat Steps 1 – 4.)

Step 6: Channel 184 **"CH 184"** should be found and **"Preview"** should be displayed. Audio should also be heard at this time. (Channel 184 should be available on every receiver and was designed to allow technicians to confirm Sirius receiver functionality before activation.)

Step 7: If **"Preview"** is displayed and audio is functioning correctly (Check radio Balance and Fader), proceed to step 10. If not, go to next step.

Step 8: If "No Channel" is displayed, turn radio OFF, wait 10 seconds, and repeat Steps 3 & 4.

Step 9: Press channel up/down arrow keys repeatedly until Channel 184 is found and "Preview" is displayed. Allow receiver to update information. (Approx. 30 seconds) Audio should now be heard, "Preview" is displayed and Channel 184 should be the only available channel. If you are able to select other "unavailable" channels repeat Steps 3 – 6.

Step 10: Have completed **Sirius Satellite Radio Activation Worksheet** and contact Sirius to activate receiver. **Sirius Receiver ESN** can be found on bottom of Sirius receiver or by pressing "SAT" key for greater than 1.5 seconds and ESN will be displayed. Please refer to Activation Worksheet for correct Sirius activation procedure.

Step 11: After Sirius Customer Service Representative activates receiver, it will take approximately 5 minutes or less for signal to reach the vehicle. Leave radio in Sirius Satellite mode with "Preview" displayed and key in KL-R position for approximately 5 minutes.

Step 12: Turn Radio OFF by pressing knob, wait 10 seconds, and repeat Steps 3 & 4.

Step 13: Press channel up/down arrow keys to select available channels. All available channels can now be selected and/or stored in 18 Preset locations. (Please refer to Owner's Manual for additional Sirius Satellite Mode functionality and features.) **ACTIVATION COMPLETE**

Step 14: If channels other than Channel 184 are not available, repeat Steps 12 & 13. If channels are still not available, it may be necessary to repeat Steps 10 – 13 for additional activation attempt.